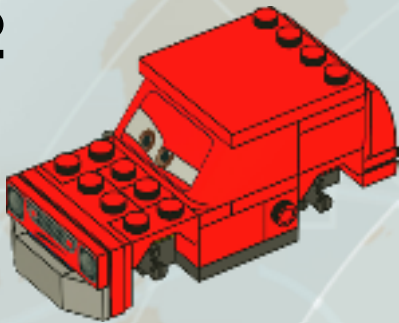


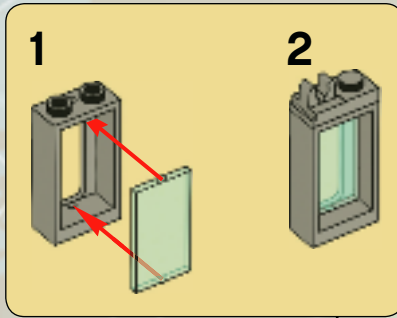
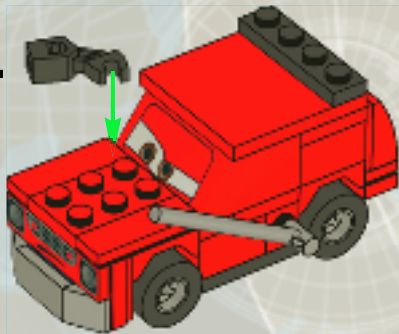
12



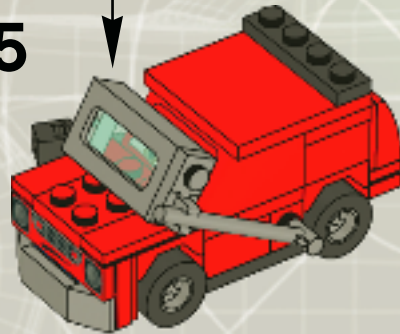
13



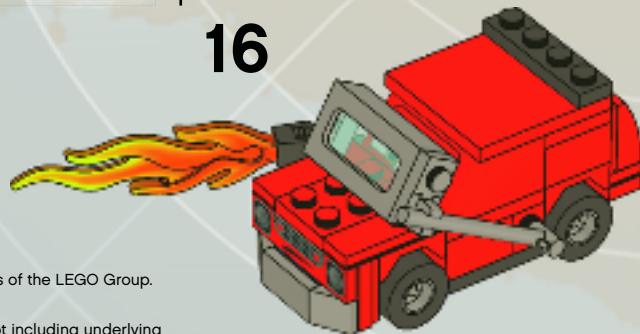
14



15



16



www.LEGO.com

LEGO and the LEGO logo are trademarks of the LEGO Group.
© 2011 The LEGO Group. 4642572
Disney/Pixar elements: © Disney/Pixar, not including underlying vehicles owned by third parties. Gremlin is a trademark of Chrysler LLC